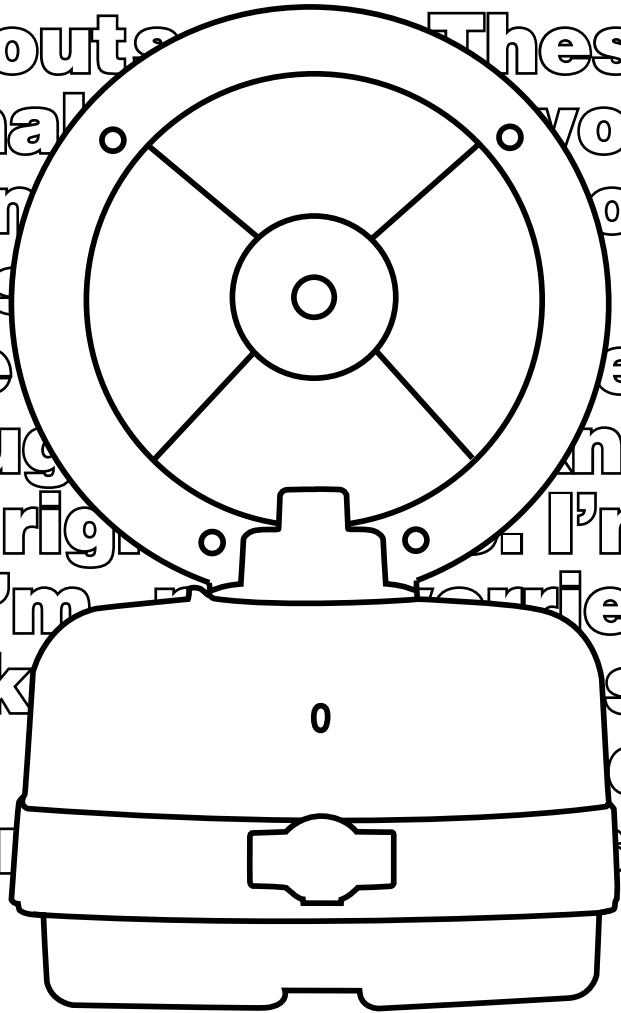


I'm in a hurry. I don't have time to slow down. It's their job to worry about safety. These orange cones make me nervous. Ugh, road construction. Don't they know this work zone will make me late? The speed limit is only a suggestion. I know what speed is right for me. I'm a great driver. I'm not worried about this work zone. Safety signs are foolish, I don't drive. My cell phone is a distraction.



# Work Zone Safety

## *It's Everyone's Job.*

For more information on  
Florida Work Zone Safety visit  
[ItsEveryonesJob.com](http://ItsEveryonesJob.com)

